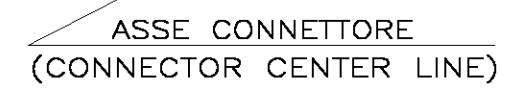
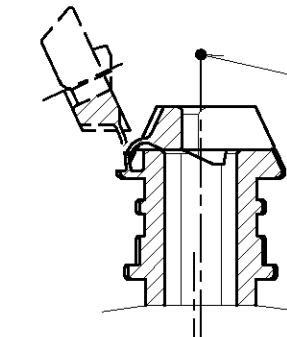
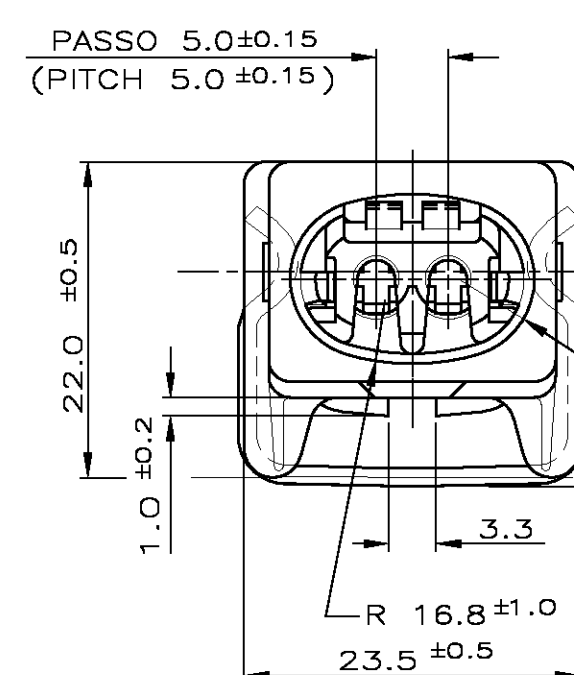
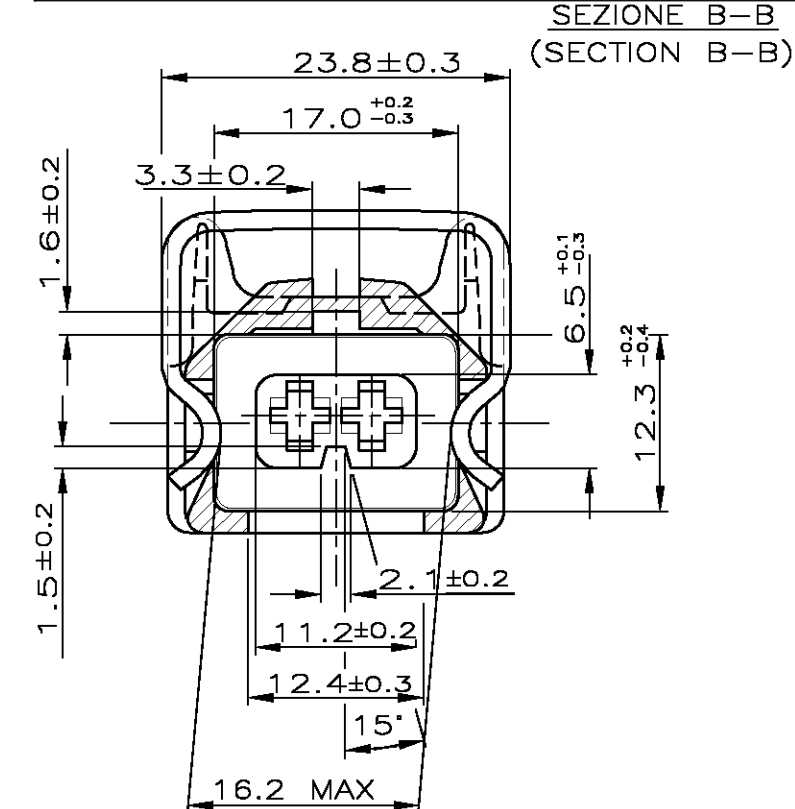
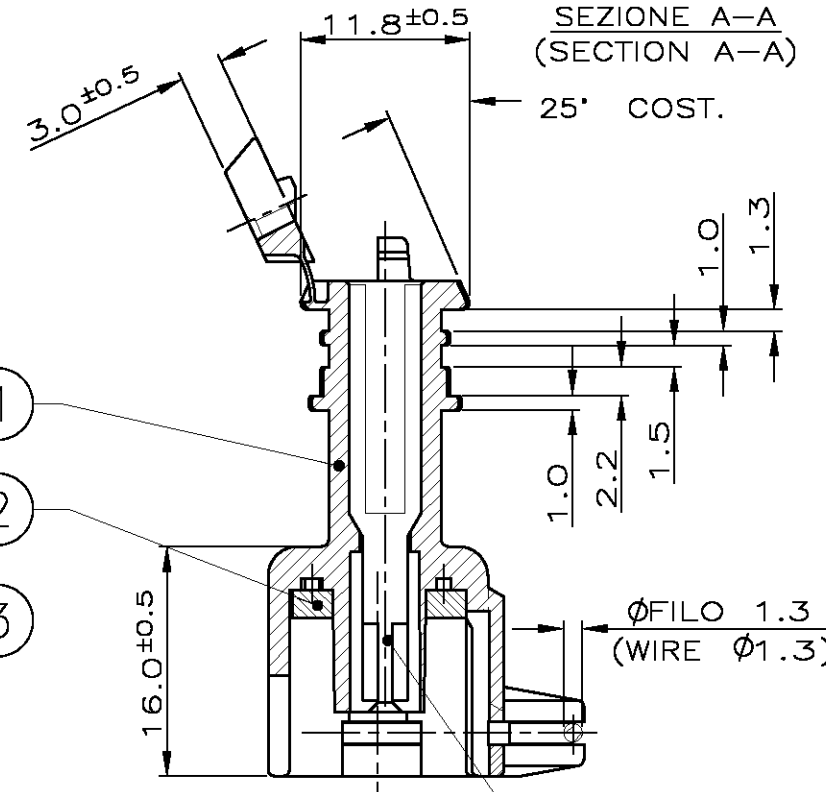
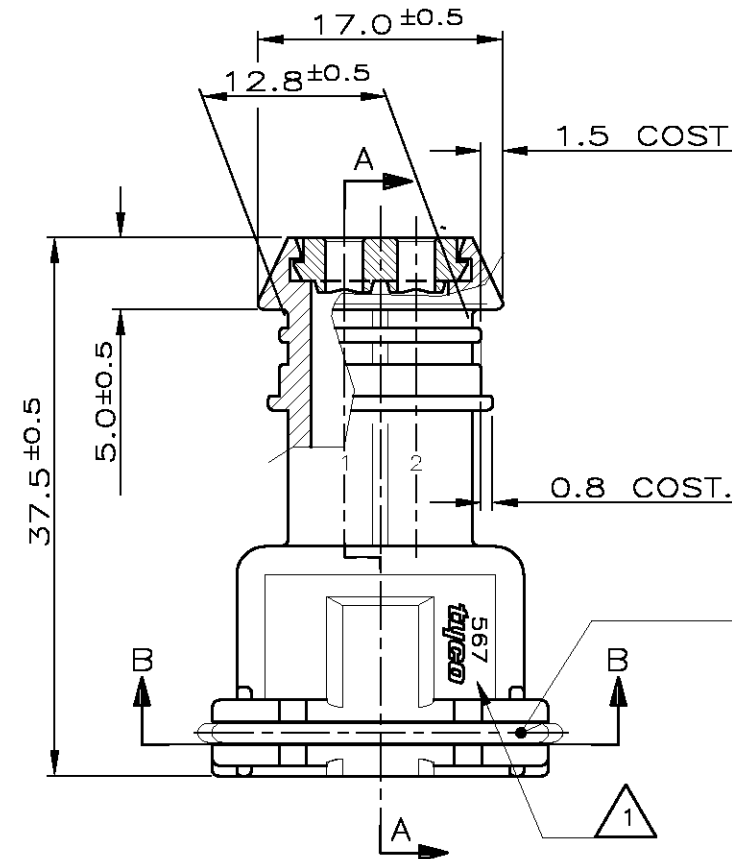


P	LTR	DESCRIPTION	DATE	DWN	APVD
L5		REVISED PER ECR-12-009660	30JUL2012	M.G.	M.G.
M		ECR-14-003472	24MAR2014	M.P.	M.G.

CONNETTORE TIPO A (CON MOLLA DI RITEGNO ESTERNA)
CONNECTOR TYPE A (WITH EXTERNAL SPRING)



TIP. CAVITA' PER TERMINALI AMP JPT P/N 929939-...
OPPURE 929937-... E RELATIVI GOMMINI
AMP P/N 828904-1, 828905-1, 282536-1.
TAPPO CAVITA' P/N 828906-2
(TYP. CAV. FOR JPT CONT. P/N 929939-.. A/O 929937-.. AND REL.
SINGLE WIRE SEAL P/N 828904-1, 828905-1, 282536-1
CAVITY PLUG P/N 828906-2)

METRIC		DIAM. ISOLANTE (INS. DIA. RANGE) 1.5-3.0 (REDUCED INS. CABLE)	RANGO FILO (WIRE RANGE) 0.5-2.5 mm ²																																			
<table border="1"> <tr> <th>NERO (BLACK)</th> <td>2-282189-1</td> </tr> <tr> <th>ROSSO (RED)</th> <td>282189-8</td> </tr> <tr> <th>GIALLO (YELLOW)</th> <td>282189-7</td> </tr> <tr> <th>MARRONE (BROWN)</th> <td>282189-6</td> </tr> <tr> <th>BLU (BLUE)</th> <td>282189-5</td> </tr> <tr> <th>VERDE (GREEN)</th> <td>282189-4</td> </tr> <tr> <th>BIANCO (WHITE)</th> <td>282189-3</td> </tr> <tr> <th>GRIGIO (GREY)</th> <td>282189-2</td> </tr> <tr> <th>NERO (BLACK)</th> <td>282189-1</td> </tr> <tr> <th>COLORE / COLOR</th> <th>NUMERO / PART. N°</th> </tr> </table>		NERO (BLACK)	2-282189-1	ROSSO (RED)	282189-8	GIALLO (YELLOW)	282189-7	MARRONE (BROWN)	282189-6	BLU (BLUE)	282189-5	VERDE (GREEN)	282189-4	BIANCO (WHITE)	282189-3	GRIGIO (GREY)	282189-2	NERO (BLACK)	282189-1	COLORE / COLOR	NUMERO / PART. N°	<table border="1"> <tr> <th>3</th> <td>//////</td> <td>ACCIAIO INOX (STAINLESS STEEL)</td> <td>MOLLA (SPRING)</td> </tr> <tr> <th>2</th> <td>NATURALE (CLEAR)</td> <td>GOMMA SILICONICA (SILICONE RUBBER)</td> <td>GUARNIZIONE (RUBBER GASKET)</td> </tr> <tr> <th>1</th> <td>//////</td> <td>PA 6.6</td> <td>BLOCCETTO (HOUSING)</td> </tr> <tr> <th>N</th> <th>FINITURA / COLORE (FINISH / COLOUR)</th> <th>MATERIALE (MATERIAL)</th> <th>DESCRIZIONE (DESCRIPTION)</th> </tr> </table>	3	//////	ACCIAIO INOX (STAINLESS STEEL)	MOLLA (SPRING)	2	NATURALE (CLEAR)	GOMMA SILICONICA (SILICONE RUBBER)	GUARNIZIONE (RUBBER GASKET)	1	//////	PA 6.6	BLOCCETTO (HOUSING)	N	FINITURA / COLORE (FINISH / COLOUR)	MATERIALE (MATERIAL)	DESCRIZIONE (DESCRIPTION)
NERO (BLACK)	2-282189-1																																					
ROSSO (RED)	282189-8																																					
GIALLO (YELLOW)	282189-7																																					
MARRONE (BROWN)	282189-6																																					
BLU (BLUE)	282189-5																																					
VERDE (GREEN)	282189-4																																					
BIANCO (WHITE)	282189-3																																					
GRIGIO (GREY)	282189-2																																					
NERO (BLACK)	282189-1																																					
COLORE / COLOR	NUMERO / PART. N°																																					
3	//////	ACCIAIO INOX (STAINLESS STEEL)	MOLLA (SPRING)																																			
2	NATURALE (CLEAR)	GOMMA SILICONICA (SILICONE RUBBER)	GUARNIZIONE (RUBBER GASKET)																																			
1	//////	PA 6.6	BLOCCETTO (HOUSING)																																			
N	FINITURA / COLORE (FINISH / COLOUR)	MATERIALE (MATERIAL)	DESCRIZIONE (DESCRIPTION)																																			

THIS DRAWING IS A CONTROLLED DOCUMENT.

DWN: Ennio CINI NOV. 9 '90
CHK: C.TARTARI 13 OCT 92
APVD: -
PRODUCT SPEC: -
APPLICATION SPEC: -
WEIGHT: -

STE TE Connectivity

2 W.SPLASH PROOF CONN.ASS'Y with SECONDARY LOCK

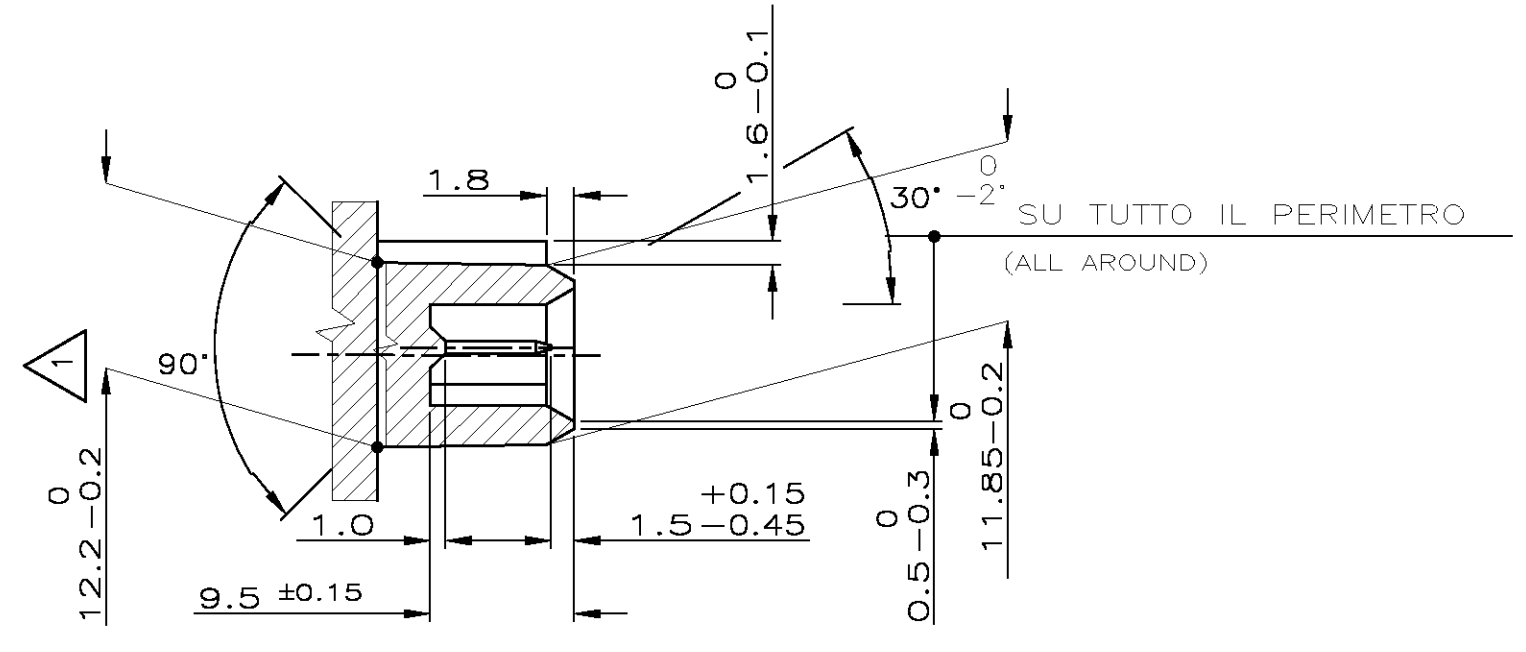
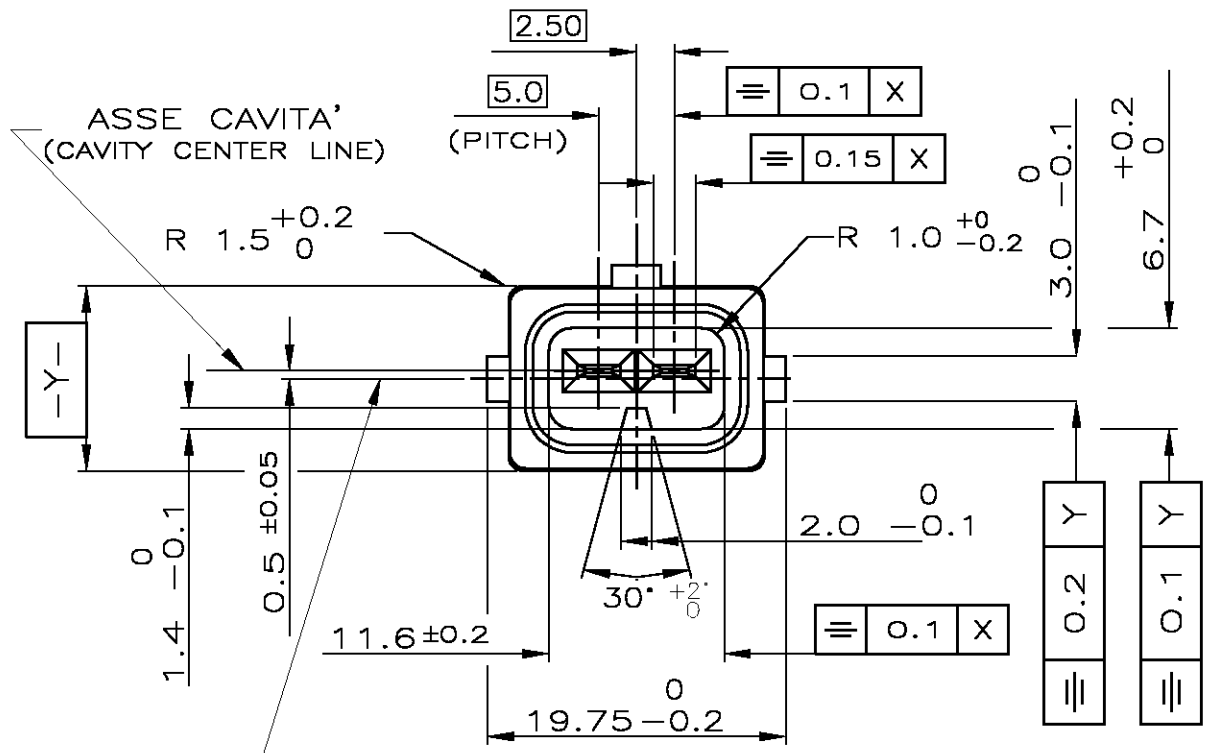
SIZE: A3 CAGE CODE: 00779 DRAWING NO: C-282189 RESTRICTED TO: -

CUSTOMER DRAWING SCALE: - SHEET: 1 OF 2 REV: M

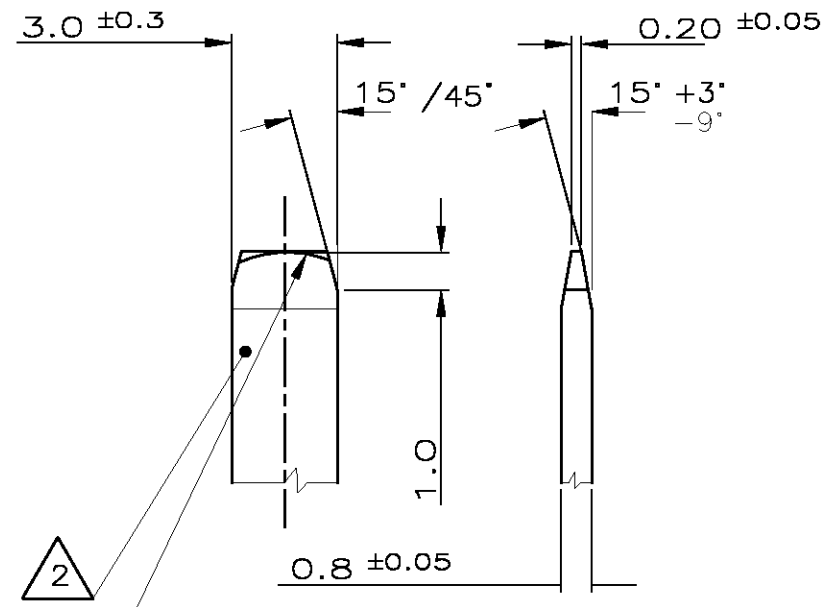
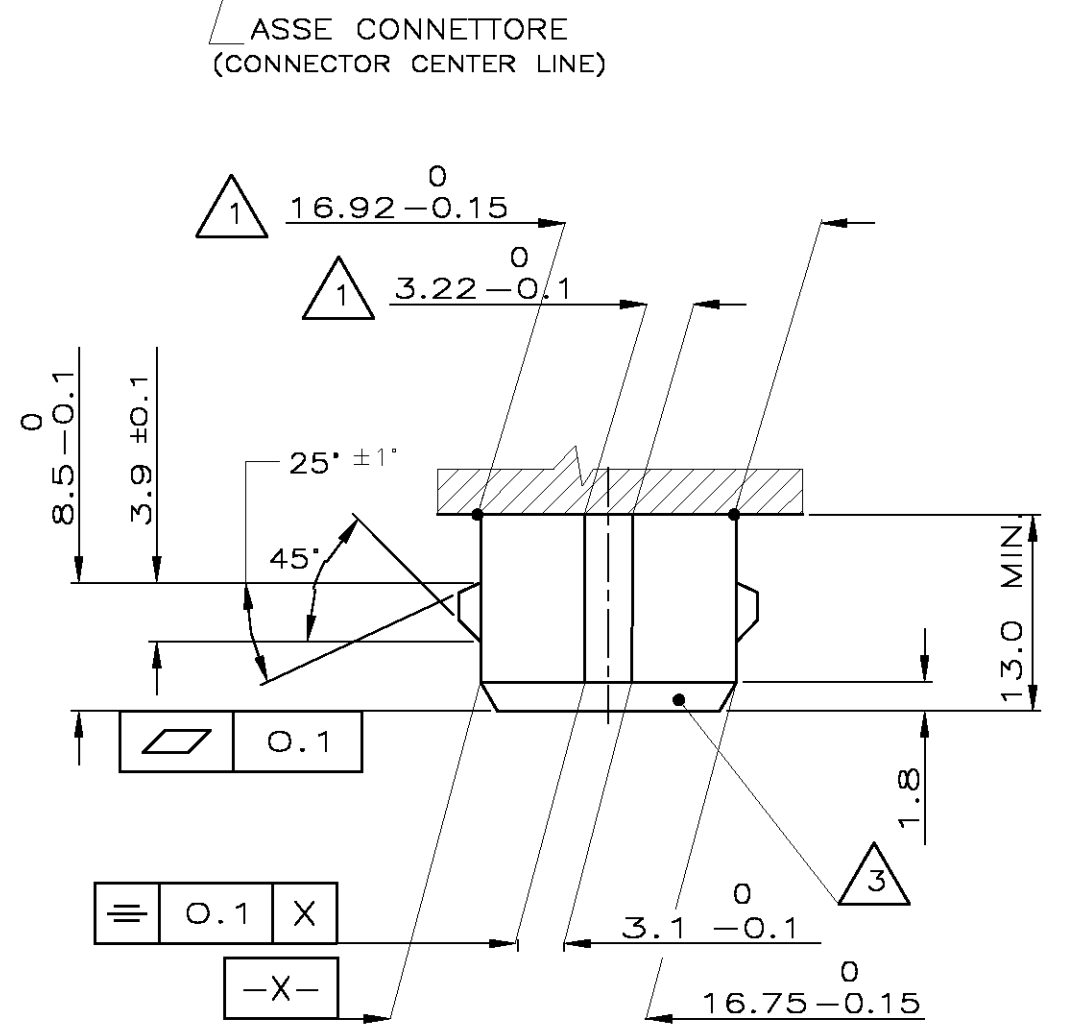
- 1 LOGO TYCO O, IN ALTERNATIVA, LOGO AMP (TYCO LOGO OR, IN ALTERNATIVE, AMP LOGO) (AMP)
- 2 DIFFERISCE DAL ..-1 ESCLUSIVAMENTE PER IL PACKAGING (DIFFERS FROM ..-1 ONLY FOR PACKAGING DETAILS)
- 3) PER DIMENSIONI CONTROPARTE VEDERE FOGLIO 2 (FOR COUNTERPART DIMENSIONS SEE SHEET 2)

THIS DRAWING IS UNPUBLISHED. RELEASED FOR PUBLICATION
 © COPYRIGHT - By - ALL RIGHTS RESERVED.

LOC	DIST	REVISIONS			
P	LTR	DESCRIPTION	DATE	DWN	APVD
		SEE SHEET 1			



DETT. LINGUETTA TAB-SCALA 5:1-
 (TAB DETAIL)



FORMA ALTERNATIVA PERMESSA CON RAGGIO
 (ALLOWED ALTERNATIVE PROFILE WITH RADIUS)

- 1 QUOTE APPLICABILI PER SFORMATURA PEZZO (DRAFT PERMITTED TO FACILITATE REMOVAL OF PART FROM THE MOULD)
- 2 MATERIALE LINGUETTE: LEGA DI RAME STAGNATA, ES. OTTONE STAGNATO. (TAB CONTACT MATERIAL: TIN PLATED COPPER ALLOY. E.G. BRASS TIN PLATED)
- 3 MATERIALE BLOCCHETTO: TERMOPLASTICO CARICATO FIBRA VETRO. (HOUSING MATERIAL: THERMOPLASTIC, GLASS FIBER FILLED)

METRIC	DIAM. ISOLANTE (INS. DIA. RANGE)	RANGO FILO (WIRE RANGE)
	---	---

CUSTOMER DWG. FOR REFERENCE ONLY DISEGNO PER CLIENTE SOLO PER RIFERIMENTO

THIS DRAWING IS A CONTROLLED DOCUMENT.		DWN	-	TE Connectivity NAME 2 POS.SPLASH PROOF CONN.ASS'Y with SECONDARY LOCK	
DIMENSIONS: mm		CHK	-		
TOLERANCES UNLESS OTHERWISE SPECIFIED:		APVD	-		
0 PLC ± - 1 PLC ± 0.3 2 PLC ± - 3 PLC ± - 4 PLC ± - ANGLES ± 2°		PRODUCT SPEC	-		
MATERIAL		FINISH	-	APPLICATION SPEC	-
-		-	-	WEIGHT	-
FINITURA / COLORE (FINISH / COLOUR)		MATERIALE (MATERIAL)	NUMERO (PART NUMBER)	SIZE	A3
				CAGE CODE	00779
				DRAWING NO	C-282189
				RESTRICTED TO	-
				CUSTOMER DRAWING	SCALE - SHEET 2 OF 2 REV M